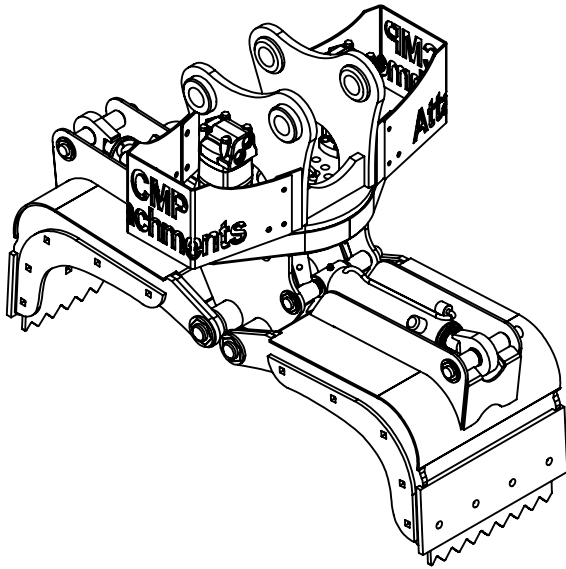
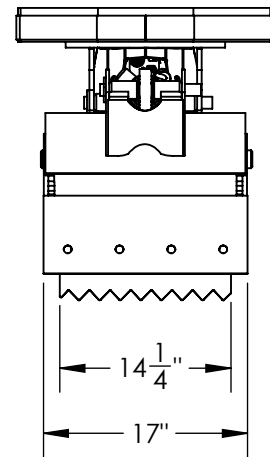
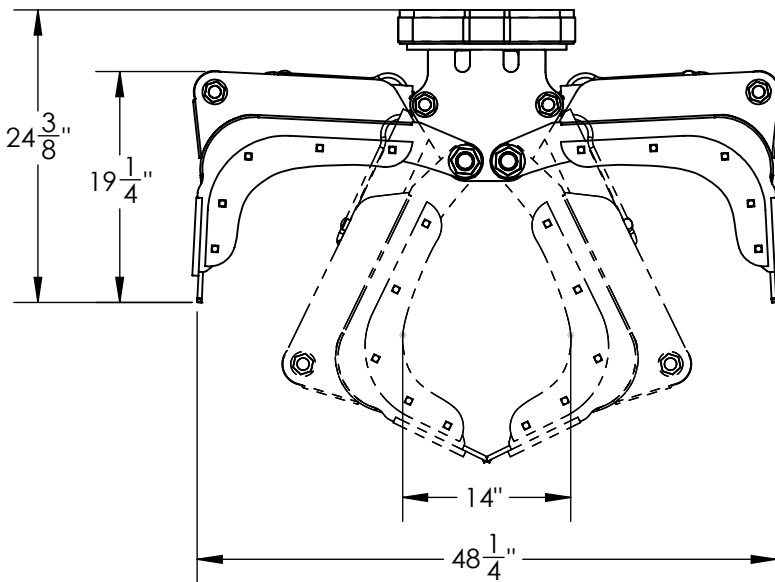


CMP Attachments, LLC.



HYDRA GRAPPLE

MODEL:	82
MAX OPEN:	48 1/4"
MIN CLOSED:	14"
VOLUME OPENED:	6 FT ³
VOLUME CLOSED:	3 1/4 FT ³
CYLINDER BORE:	2 1/2"
MAX PRESSURE:	4500 PSI
MAX TORQUE:	15,000 IN-LB
MACHINE WEIGHT:	6,000-12,000 LBS
APPROXIMATE WEIGHT:	600 LBS
OPTIONS:	CLOSED SIDE EDGES



Features

- Dual rotational drive motor provides intense rotational torque.
- Motors have built in cross reliefs which serves as a cushion when stopping rotation under load.
- Heavy duty AR-400 hardened steel with 177,000lb tensile strength and Rockwell hardness of 440.
 - High strength body made from T1 steel is three times stronger than standard steel.
- Exclusive hydraulic cylinder lock valves efficiently hold material without needing to continuously apply auxiliary hydraulic pressure.
 - Stress proof bolts are able to withstand tremendous amounts of flexing and fatigue long term.
 - Excavator tooth bar is ideal for excavating or grabbing boulders and other large objects.
- Electronic control valve option eliminates the need for expensive secondary auxiliary hydraulics on an excavator.
 - Rigid quality control during manufacturing ensures reliability.
 - Completely fabricated in our facility in Clear Lake Minnesota.